

ASR Series Slide Out & Rotating Shelving System



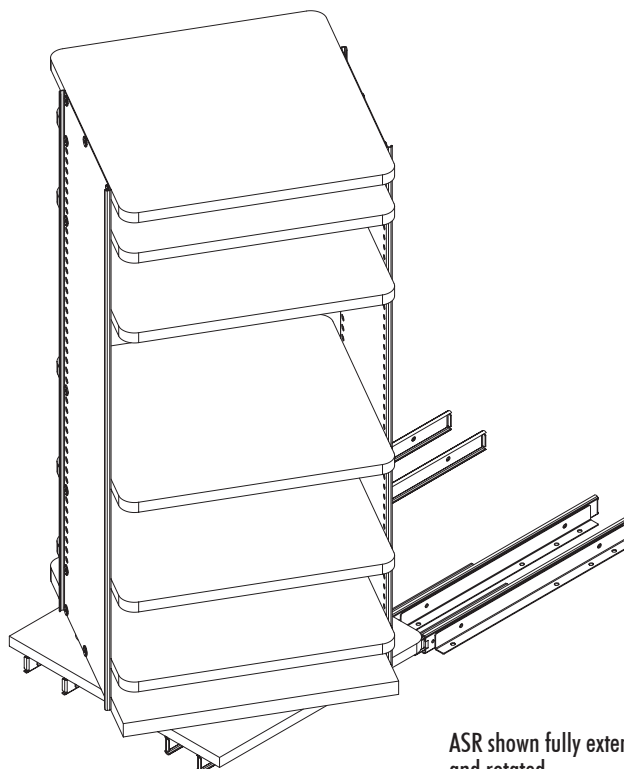
Middle Atlantic Products, Inc.

middleatlantic.com

Slide-out and rotating shelving system for custom cabinetry, millwork and entertainment centers

Features

- Shelving pulls out and rotates for easy access to rear connections
- Cable management included
- Up to a 250 lb. Weight capacity (depending on model)
- Locking panel prevents system from sliding out when not intended
- Mounts in any entertainment center, millwork, or cabinetry
- Knock down design simplifies shipping and storage



ASR shown fully extended and rotated

Architects' and Engineers' Specifications

ASR Series adjustable slide out rotating shelving system shall be Middle Atlantic Products model # ASR-XX (refer to chart). Overall dimensions of shelving system shall be 18.25" W x ___" H x 18" D with a ___ lb. weight capacity (refer to chart). Maximum adjustable shelf useable depth shall be 16.5". Wood finish shall be black and constructed of 3/4" & 1" thick 45 lb. density industrial MDF board with melamine. ASR base slides shall be 14-gauge steel. Shelving system shall slide out 19" on integrated ball bearing slides and rotate 60° in either direction for equipment servicing. Shelving system shall remove from base for easy installation. Locking trim panel shall lock ASR in closed position and be 11-gauge aluminum with a black powder coat finish on one side and a black textured finish on the other. Cable Management shall include ___ (1,2) cable lacer bars with 2" offset (Middle Atlantic Products part # LBP-2A), 12 cable straps (Middle Atlantic Products part # TW12) and 15.5" Velcro® strips for rear of shelving.

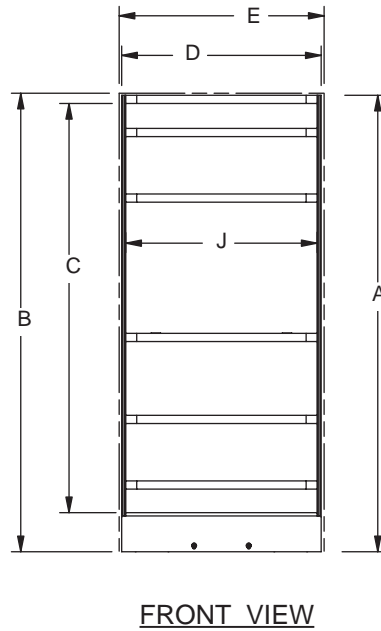
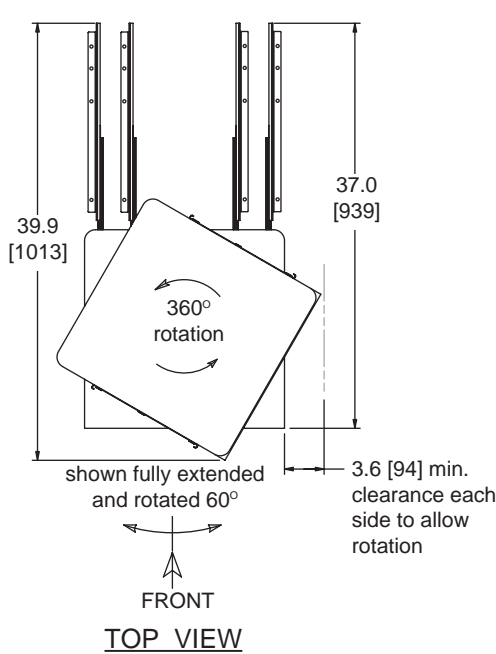
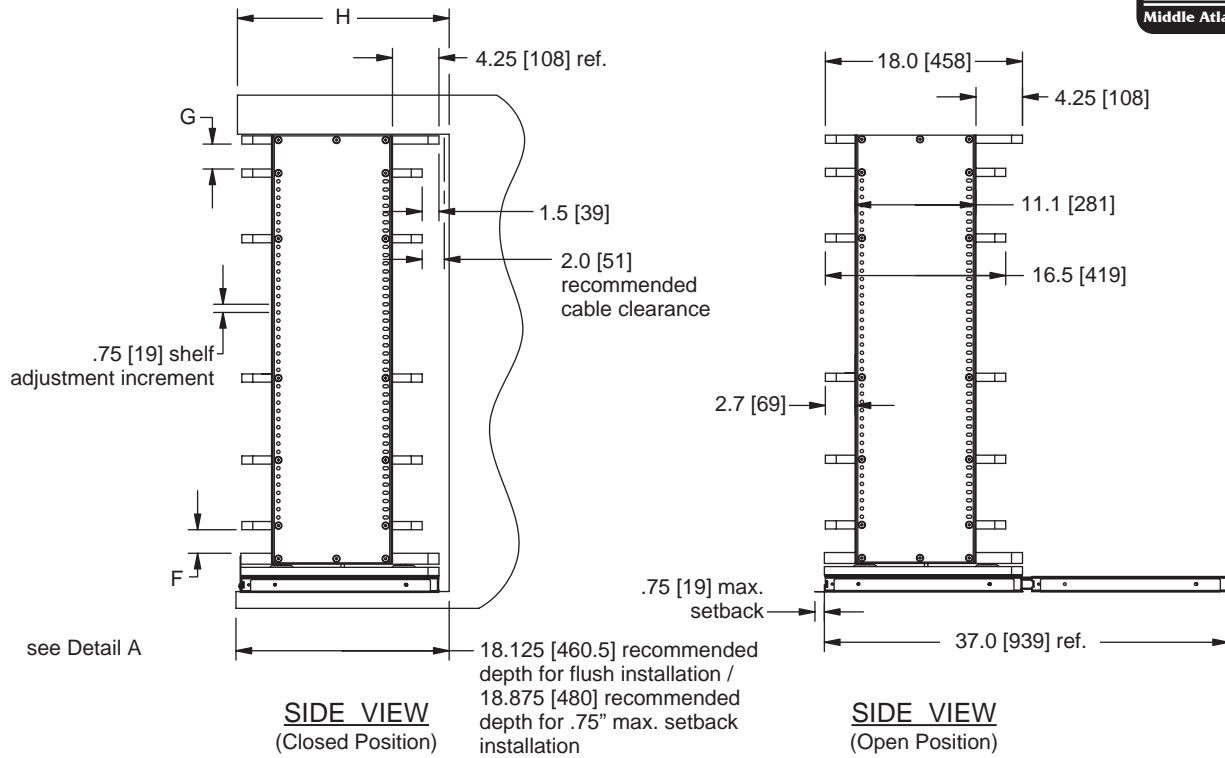
electronic version available at middleatlantic.com

Engineered Mounting Solutions

US: New Jersey • California • Illinois • Voice: 973-839-1011 Fax: 973-839-1976 • middleatlantic.com
Canada: Ontario • British Columbia • Voice: 613-836-2501 Fax: 613-836-2690 • middleatlantic.ca

ASR basic dimensions

All dimensions in inches unless otherwise noted [All dimensions in brackets are millimeters]



Part #	A Overall Height	B Rough Opening Height	C Useable Mounting Height	D Overall Width	E Rough Opening Width	# Of Shelves / # Of Adjustable Shelves	F Lowest Shelf Mounting Clearance	G Highest Shelf Mounting Clearance	H Rough Opening Min. Depth Recommended*	Weight Capacity	Single Shelf Weight Capacity	Useable Depth	J Useable Width
ASR-30	29.85 [758]	30 [762]	23.125 [587]	18.25 [464]	18.50 [470]	4/3	2.3 [58]	2.3 [58]	18.25 [464]	150 lbs. [68 kg.]	75 lbs. [34 kg.]	16.125 [410]	17.5 [445]
ASR-36	35.85 [911]	36 [914]	28.375 [720]	18.25 [464]	18.50 [470]	5/4	2.3 [58]	2.3 [58]	18.25 [464]	150 lbs. [68 kg.]	75 lbs. [34 kg.]	16.125 [410]	17.5 [445]
ASR-42	41.85 [1063]	42 [1067]	33.625 [854]	18.25 [464]	18.50 [470]	6/5	2.3 [58]	2.3 [58]	18.25 [464]	250 lbs. [113 kg.]	75 lbs. [34 kg.]	16.125 [410]	17.5 [445]
ASR-48	47.85 [1215]	48 [1219]	38.875 [987]	18.25 [464]	18.50 [470]	7/6	2.3 [58]	2.3 [58]	18.25 [464]	250 lbs. [113 kg.]	75 lbs. [34 kg.]	16.125 [410]	17.5 [445]

* Flush installation to front of shelving system